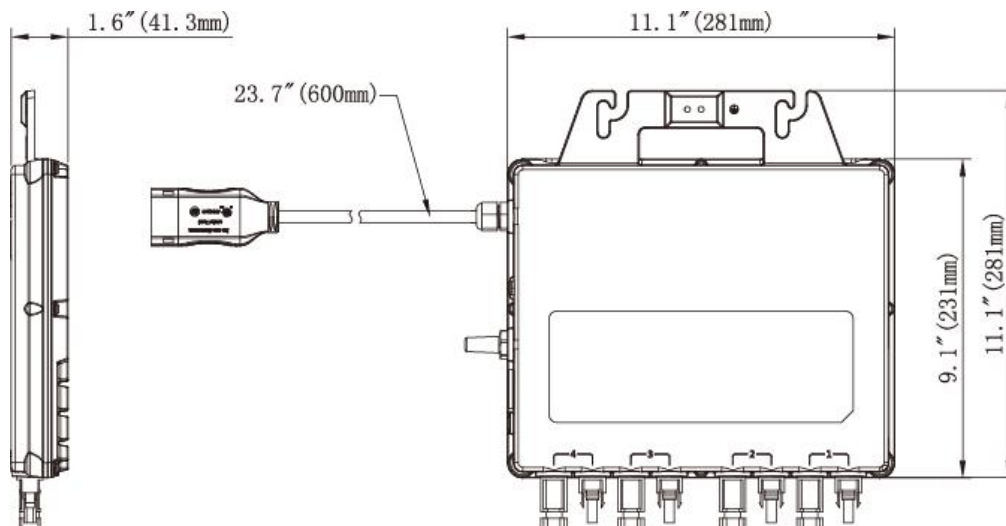




QS1A Microinverter

- Single unit connects up to four solar modules
- 4 input channels with independent MPPT and monitoring function
- Maximum continuous output power up to 1500W
- UL 1741 compliant
- Accommodates 60 & 72-cell PV modules up to 440W+

DIMENSIONS



The APsystems QS1A is a grid-tied microinverter with UL 1741 compliant. High efficiency, high reliability of the QS1A with 4 independent MPPT inputs, maximum continuous AC output power reaching 1500W. Quarter the inverters and quarter the installation means real cost savings for residential and commercial customers.

QS1A Microinverter Datasheet

Region	LATAM	
Model	QS1A-MX	QS1A-BR
Input Data (DC)		
Recommended PV Module Power (STC) Range	250Wp-440Wp+	
MPPT Voltage Range	30V-52V	
Operation Voltage Range	16V-55V	
Maximum Input Voltage	60V	
Startup Voltage	20V	
Maximum Input Current	13.3A×4	
Maximum DC short circuit current	15A×4	
Output Data (AC)		
Maximum Continuous Output Power	1500W	
Nominal Output Voltage /Range	240V/211V-264V	220V/176V-242V
Adjustable Output Voltage Range	150V-280V	
Nominal Output Current	6.25A	6.81A
Maximum Units Per Branch	3units per 25A AC breaker	
Nominal Output Frequency/Range	60Hz/59.3Hz-60.5Hz	
Adjustable Output Frequency Range	55Hz-65Hz	
Output Power Factor Rating	>0.99	
Total Harmonic Distortion	<3%	
Maximum Output Fault Current (AC) And Duration	47.3 Apk, 1.4 ms of duration	
Efficiency		
Peak Efficiency	96.5%	
Nominal MPPT Efficiency	99.5%	
Night Power Consumption	30mW	
Mechanical Data		
Operating Ambient Temperature Range	-40°F to +149°F(-40°C to +65°C)	
Storage Temperature Range	-40°F to +185°F(-40°C to +85°C)	
Dimensions (W x H x D)	11.1" x 9.1" x 1.6"(281mm x 231mm x 41.3mm)	
Weight	9.9lbs(4.5kg)	
AC BUS Maximum Current	25A(12AWG)	
Enclosure Rating	Type6	
Cooling	Natural Convection - No Fans	
Features		
Communication	Wireless	
Transformer Design	High Frequency Transformers, Galvanically Isolated	
Monitoring	Via EMA* Online Portal	
Warranty	10 Years Standard ; 25 Years Optional	
Certificate&Compliance		
Safety And EMC Compliance	UL1741; CSA C22.2 No. 107.1-16; NOM-001-SCFI-1993	
Grid Connection Compliance	IEEE1547	

*APsystems online Energy Management Analysis (EMA) platform

© All Rights Reserved

Specifications subject to change without notice please ensure you are using the most recent update found at www.APsistemas.com